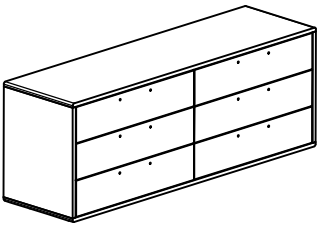

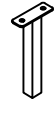






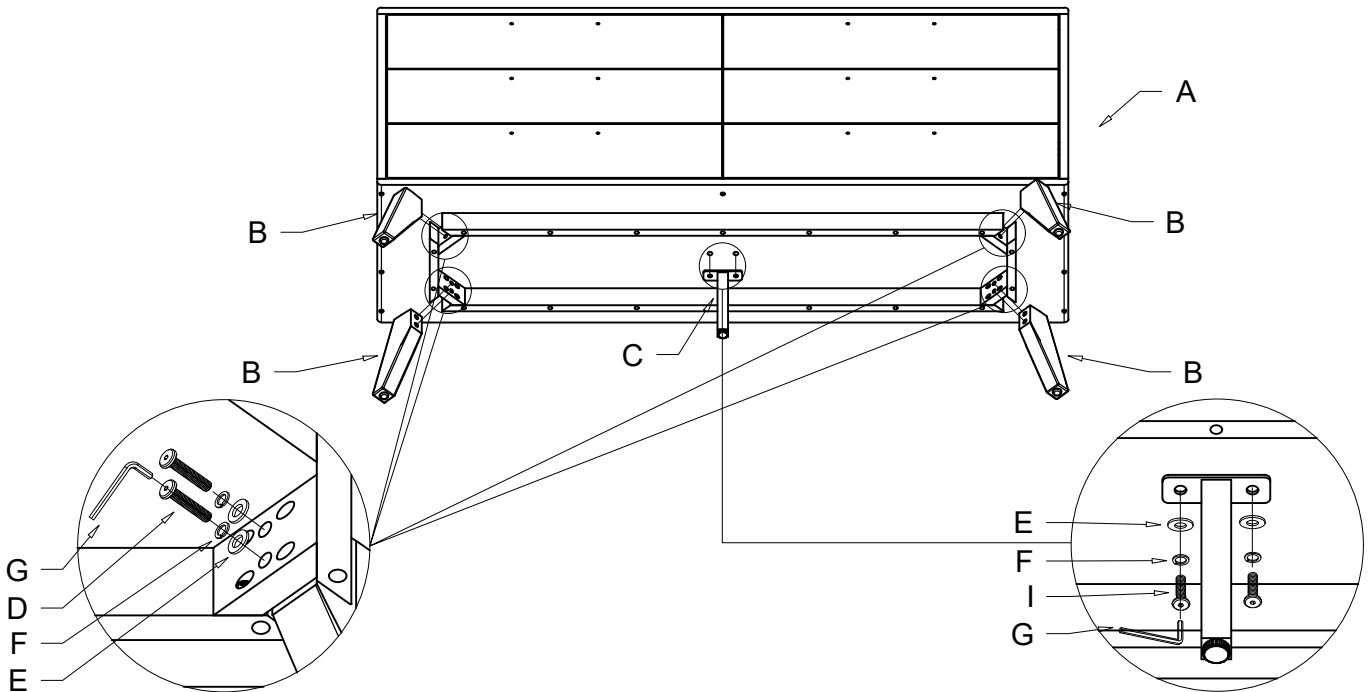


ASTORIA - DRESSER 6DRWS

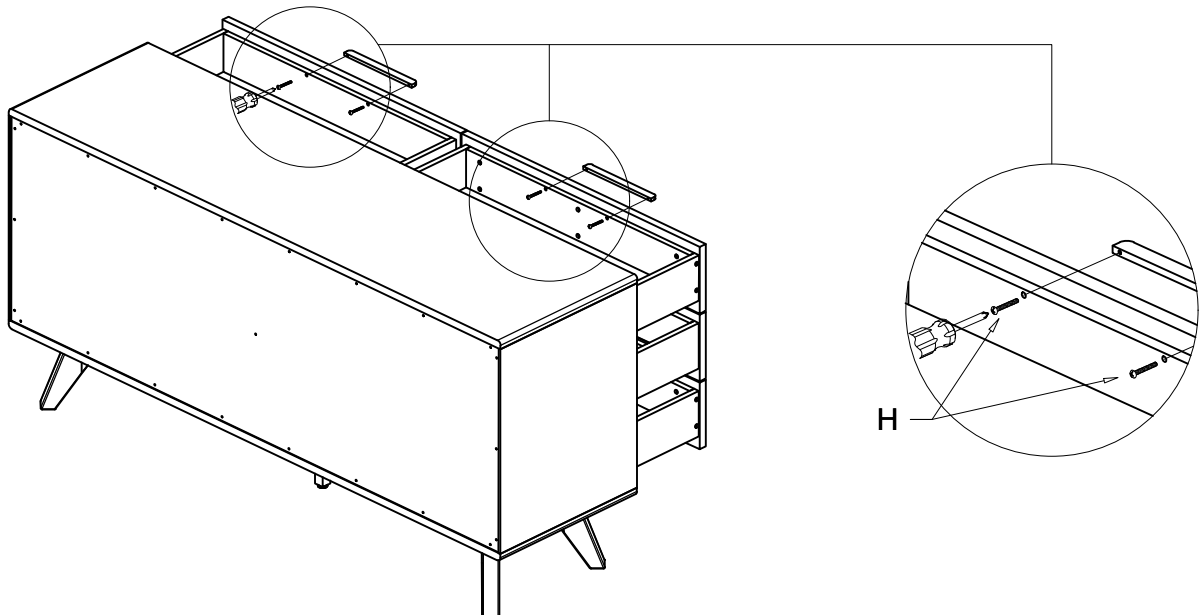
 <p>A: Chest x 1</p>	 <p>B: Leg x 4</p>	 <p>C: Leg x 1</p>	 <p>D: Bolt / M8*40mm x 8</p>
			 <p>E: Washer x 10</p>
			 <p>F: Washer x 10</p>
			 <p>G: Allen wrench x 1</p>
			 <p>H: Bolt / M4x40 x 12</p>
			 <p>I: Bolt / M8*20mm x 2</p>

STEP 1

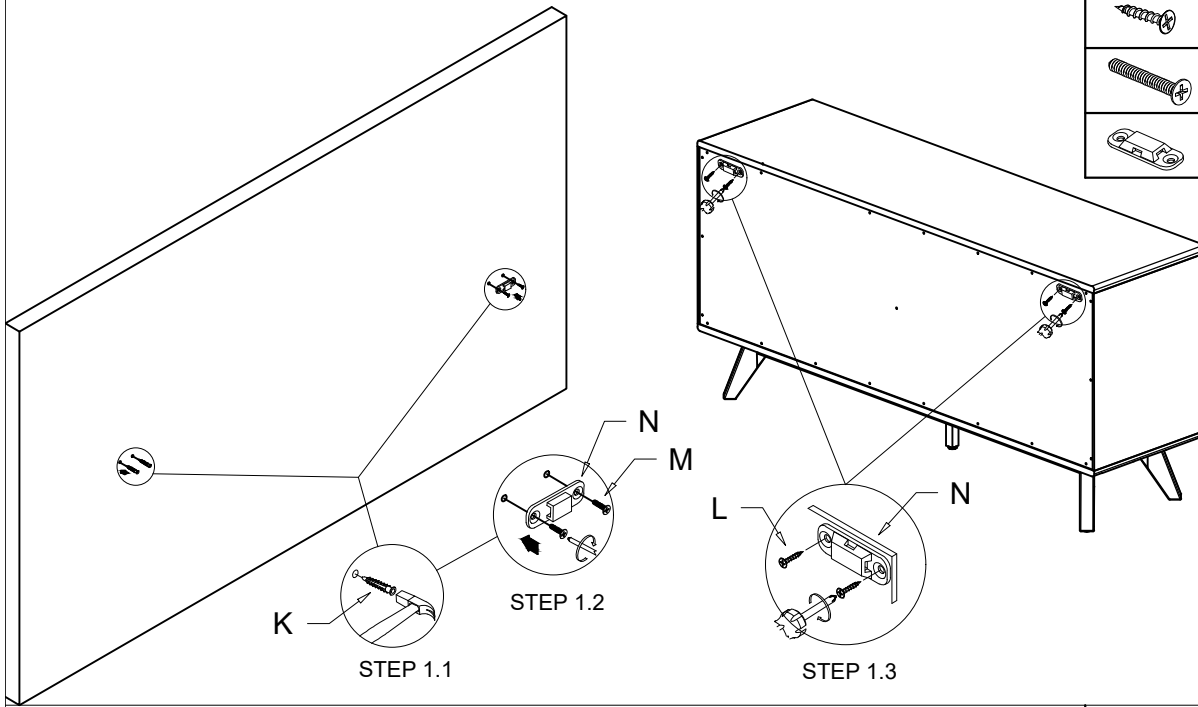
STEP 2



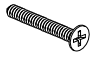



STEP 3

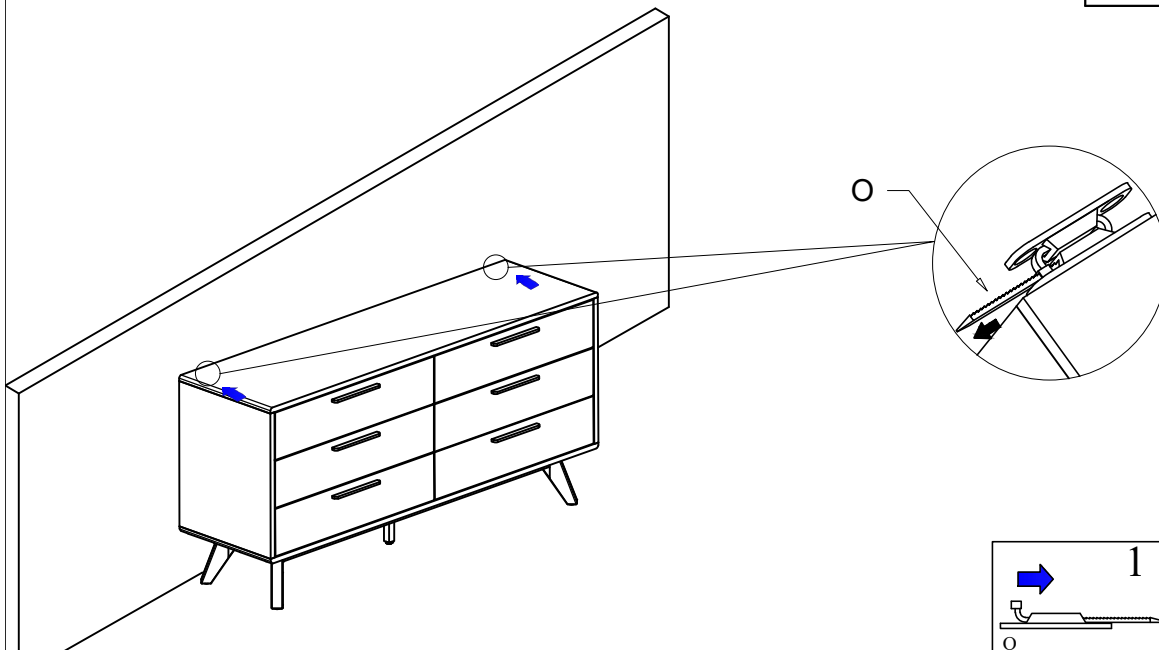


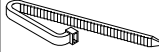
STEP 2

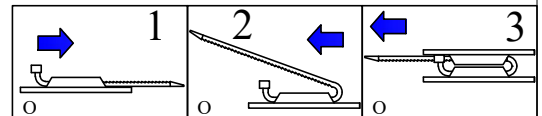


	K: Insert nut M6*50mm	x 4
	L: Screw M4*20	x 4
	M: Screw M4*40	x 4
	N: Anti flib A	x 4

STEP 3



	O: Anti flip B	x 2
---	----------------	-----



FINISHED

