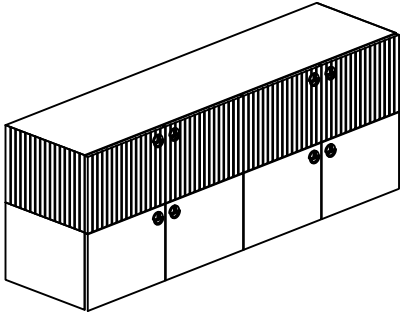




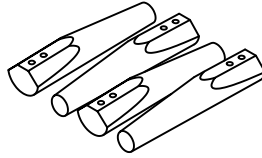
Product Assembly Instructions

LCAGBUWA

PART LIST



A : SIDEBOARD x1



B : LEG x4

HARDWARE LIST



C : JCBC SCREW M6 X 60MM

x8



D : SPRING WASHER 1/4"

x8



E : FLAT WASHER 1/4"

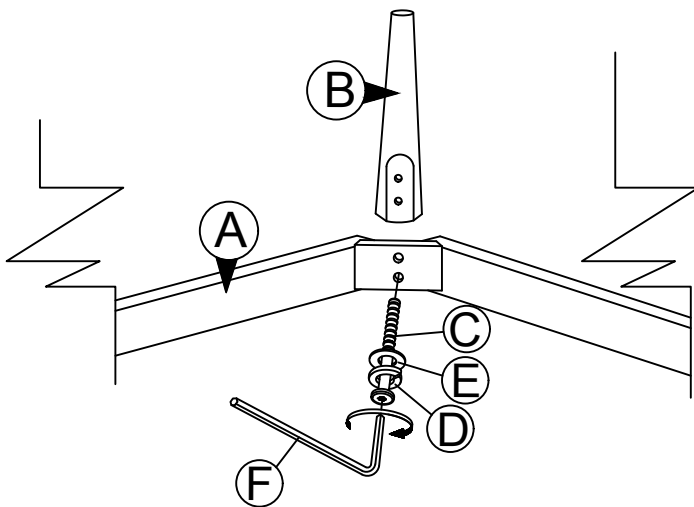
x8



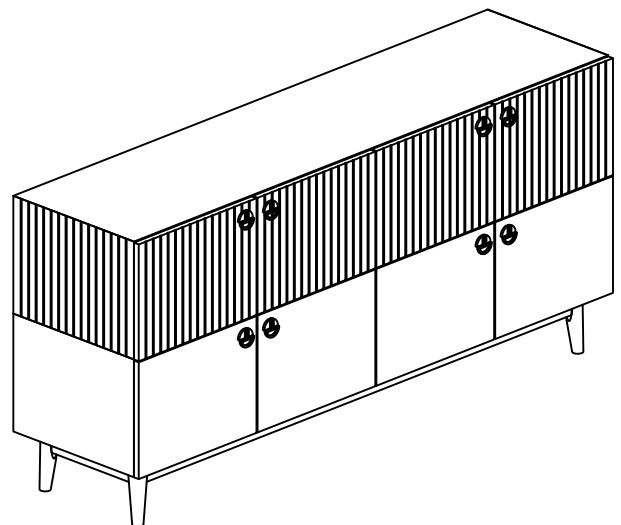
F : ALLEN KEY M4 (BALL SHAPE)

x1

STEP 1



STEP 2



ASSEMBLY COMPLETED