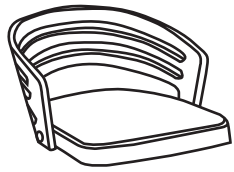
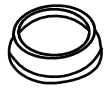


1*1

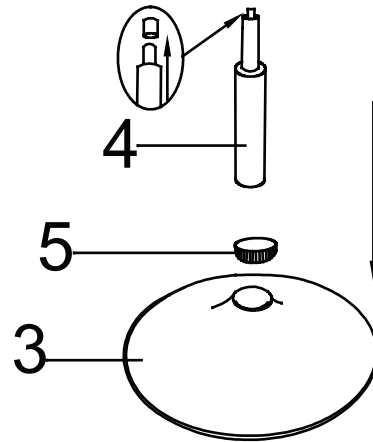


5*1

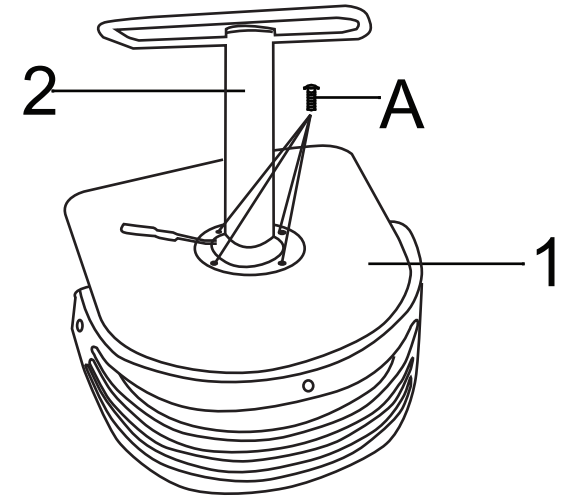


1

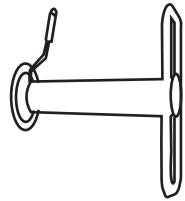
REMOVE THIS CAP
WHEN YOU ASSEMBLE!



2



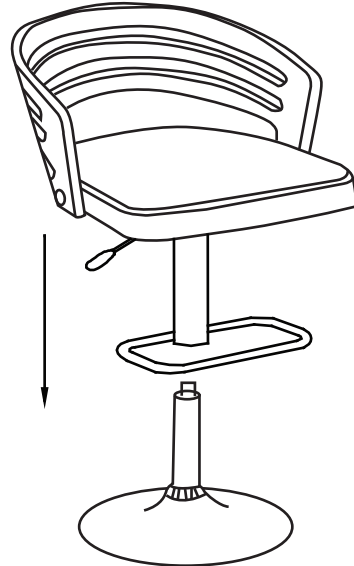
2*1



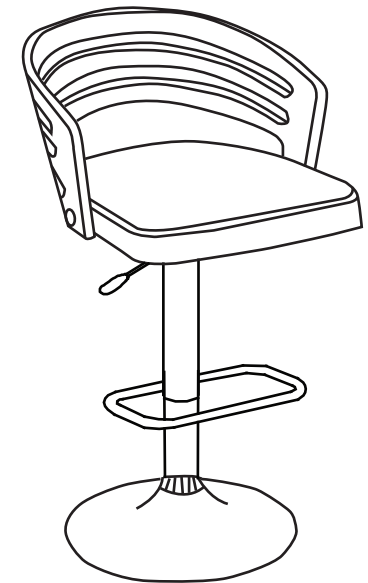
A*4+1EXT



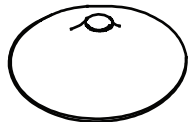
3



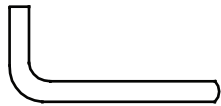
4



3*1



G*1



4*1

